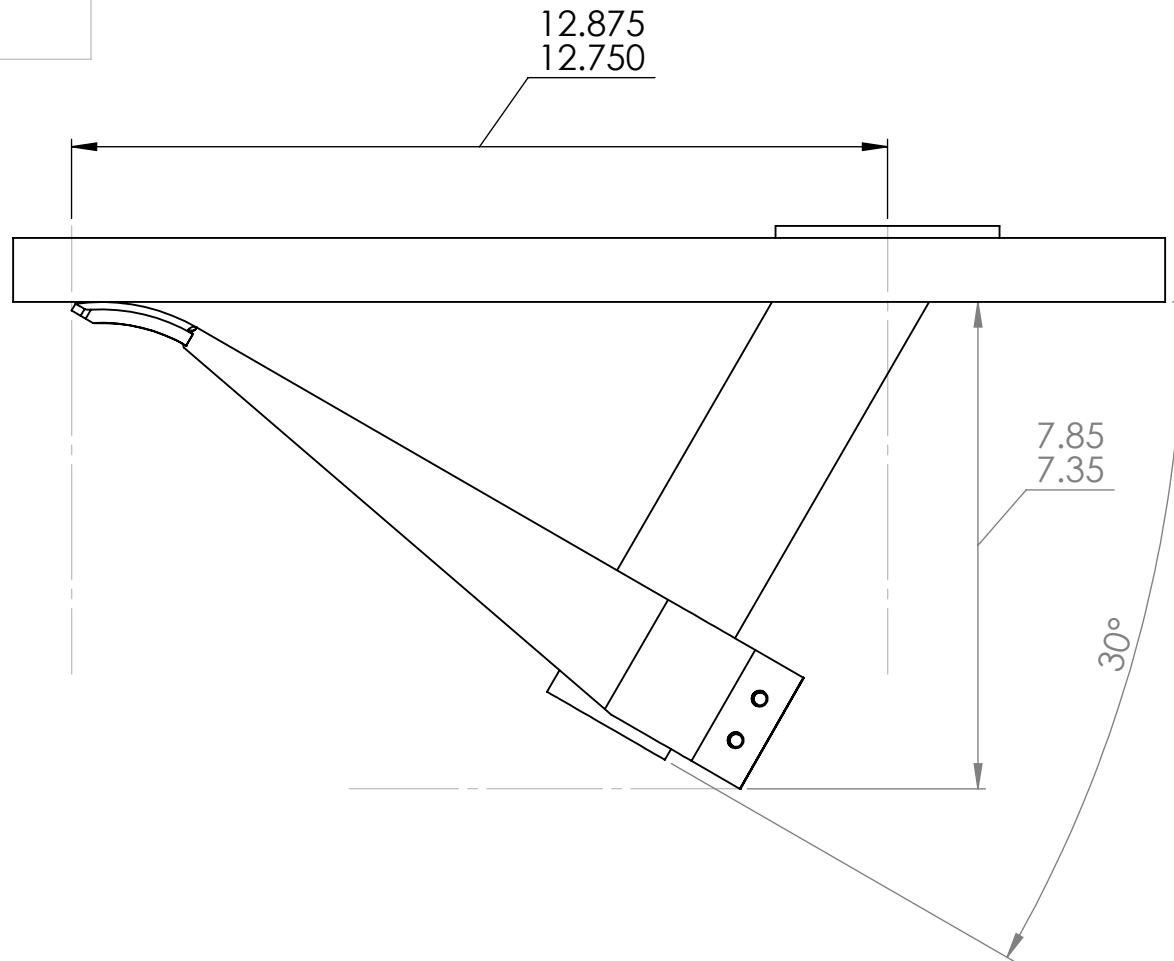


PROPRIETARY AND CONFIDENTIAL
 THE INFORMATION CONTAINED IN THIS
 DRAWING IS THE SOLE PROPERTY OF
 LINDGREN-PITMAN, INC. ANY
 REPRODUCTION IN PART OR AS A WHOLE
 WITHOUT THE WRITTEN PERMISSION OF
 LINDGREN-PITMAN, INC. IS PROHIBITED.



NEXT ASSY	USED ON
	APPLICATION

UNLESS OTHERWISE SPECIFIED:

DIMENSIONS ARE IN INCHES
 TOLERANCES:
 FRACTIONAL ±
 ANGULAR: MACH ± BEND ±
 TWO PLACE DECIMAL ±
 THREE PLACE DECIMAL ±

INTERPRET GEOMETRIC
 TOLERANCING PER:

MATERIAL

FINISH

DO NOT SCALE DRAWING

	NAME	DATE
DRAWN		
CHECKED		
ENG APPR.		
MFG APPR.		
Q.A.		

COMMENTS:



LINDGREN-PITMAN, INC.

TITLE:

RodHolderBrace

SIZE	DWG. NO.	REV
A		

SCALE: 1:5 WEIGHT: SHEET 1 OF 1

Wednesday, October 11, 2017 1:44:34 PM
 L:\RodHolderBrace\RodHolderBrace.sldrw