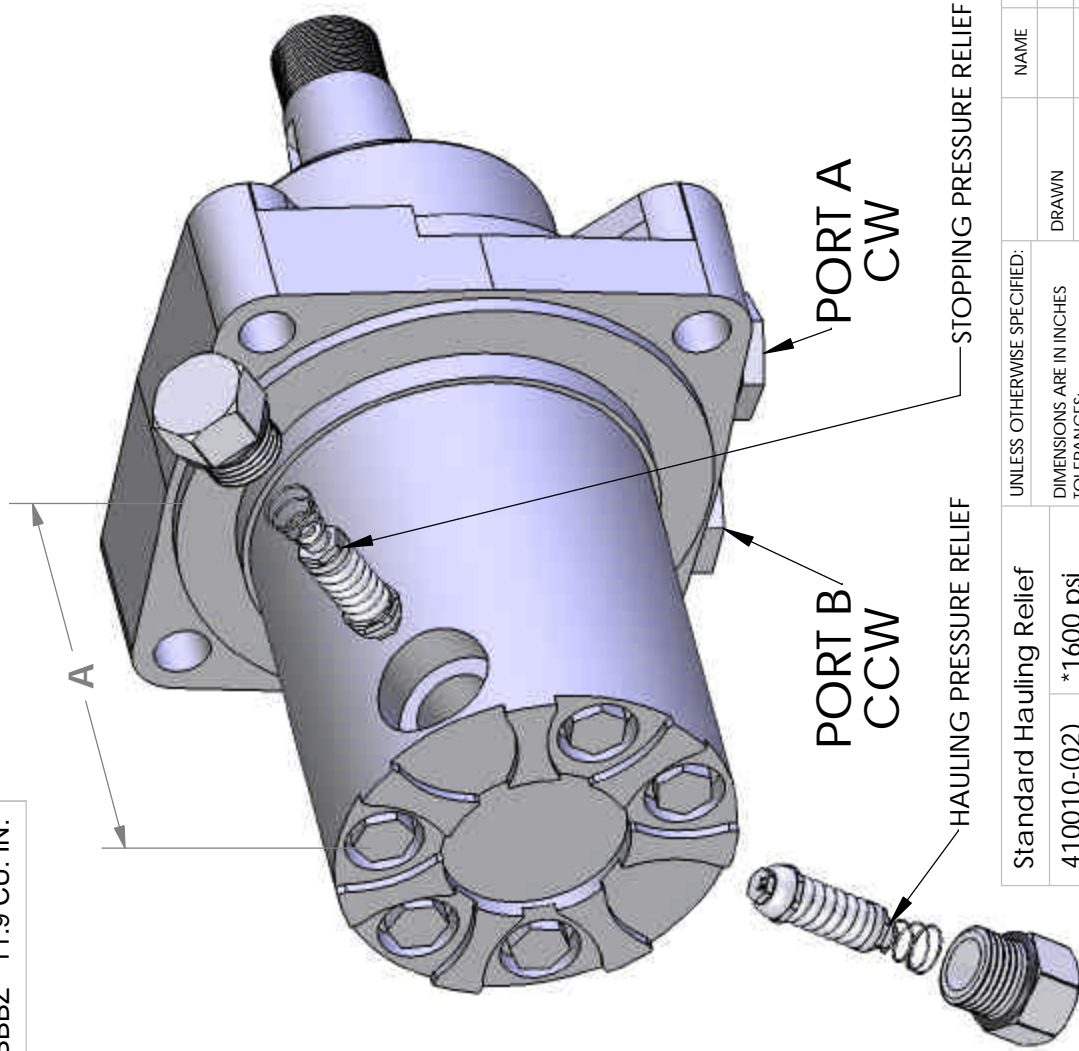


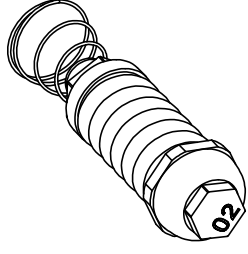
**DIMENSION "A"**

4-3/8" TJ0130US080BBBZ 8.0 CU. IN.

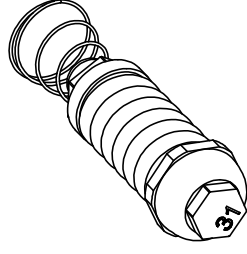
4-7/8" TJ0195US080BBBZ 11.9 CU. IN.



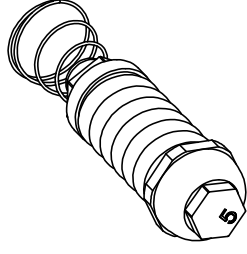
410010-(02) - 1600 psi  
Standard Hauling Relief



410010-(31) - 1200 psi  
(Optional Hauling Relief)



410010-(5) - 2030 psi  
Standard Stopping Relief



		<b>LINDGREN-PITMAN, INC.</b>	
TITLE: TJ0130US080BBBZ - 8.0 CU. IN. TJ0195US080BBBZ - 11.9 CU. IN.			
SIZE	DWG. NO.	REV	
<b>A</b>	Parker(Ross)TJ-Relief	1008	
SCALE: 1:1	WEIGHT:	SHEET 1 OF 2	

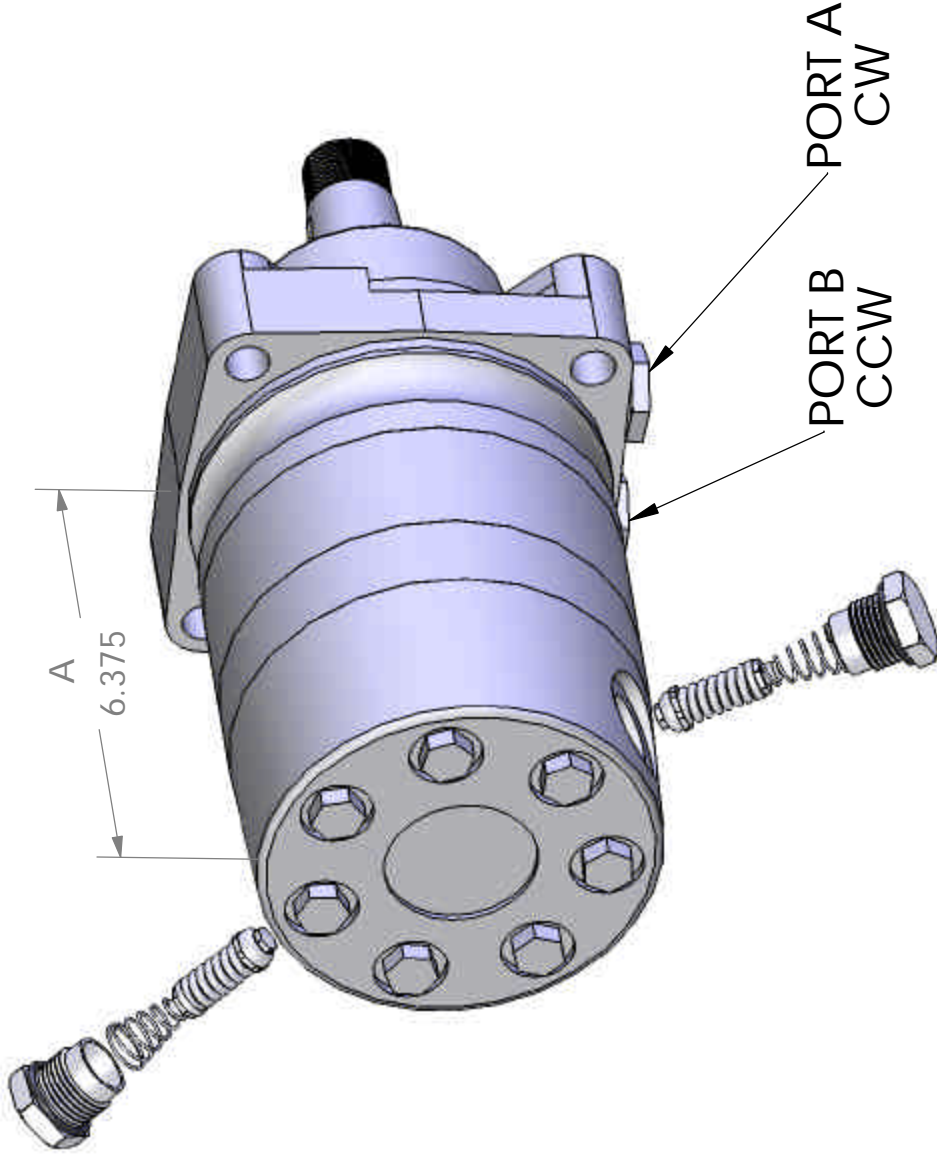
UNLESS OTHERWISE SPECIFIED:	NAME	DATE
DIMENSIONS ARE IN INCHES	DRAWN	
TOLERANCES:	CHECKED	
FRACTIONAL ±	ENG APPR.	
ANGULAR: MACH ± BEND ±	MFG APPR.	
TWO PLACE DECIMAL ±	O.A.	
THREE PLACE DECIMAL ±	COMMENTS:	
INTERPRET GEOMETRIC TOLERANCING PER:		
MATERIAL		
FINISH		
DO NOT SCALE DRAWING		

Standard Hauling Relief	HAULING PRESSURE RELIEF	STOPPING PRESSURE RELIEF
410010-(02) *1600 psi		
Standard Stopping Relief		
410010-(5) *2030 psi		
Optional Hauling Relief		
410010-(31) 1200 psi		
NEXT ASSY	USED ON	
APPLICATION		

**PROPRIETARY AND CONFIDENTIAL**  
THE INFORMATION CONTAINED IN THIS DRAWING IS THE SOLE PROPERTY OF LINDGREN-PITMAN, INC. ANY REPRODUCTION IN PART OR AS A WHOLE WITHOUT THE WRITTEN PERMISSION OF LINDGREN-PITMAN, INC. IS PROHIBITED.

**DIMENSION "A"**

6-3/8" TF0360US080BBBG 22.2 CU. IN.



 <b>LINDGREN-PITMAN, INC.</b>		NAME DATE
TITLE: <b>TF0360US080BBBG                  22.2 CU. IN.</b>		DRAWN CHECKED ENG APPR. MFG APPR. Q.A. COMMENTS:
SIZE <b>A</b>	DWG. NO. <b>Parker(Ross)TJ-Relief</b>	BOTH RELIEFS 1551 P.S.I.
SCALE: 1:4	WEIGHT:	DO NOT SCALE DRAWING

**PROPRIETARY AND CONFIDENTIAL**  
 THE INFORMATION CONTAINED IN THIS DRAWING IS THE SOLE PROPERTY OF LINDGREN-PITMAN, INC. ANY REPRODUCTION IN PART OR AS A WHOLE WITHOUT THE WRITTEN PERMISSION OF LINDGREN-PITMAN, INC. IS PROHIBITED.